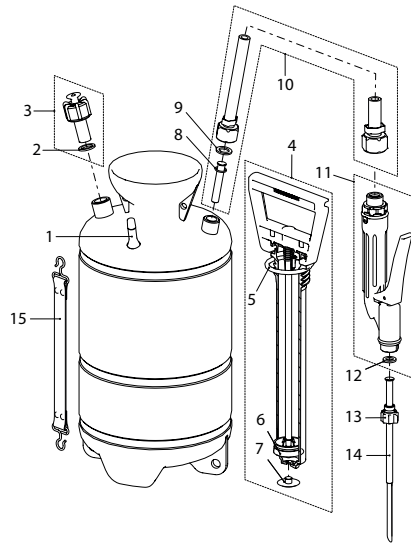




DR 5

NEW
4 bar

Suitable for
diatomaceous
earth



Mini-Flex



DR 5, powder duster		11625701	121048
Accessories (Pictures see page 80 ff)			
	Injector needle, curved ø2 mm	11435001-SB	100647
	Extension tube straight 1 m, brass, G1/4"-G1/4"e	10960601	100463
	XL 8 D Telescopic lance 7 m (max. 6 bar) / working height 8 m (Dust version)	11935401	113791
	Mini-Flex	11947101	710600
No	Gasket set consisting of:	11629801-SB	700878
2	Gasket 21x15.4x2		
5	O-ring 50.16x5.34		
6	Sleeve ø38.85 x 7.9 mm		
7	Pump gasket ø24 mm		
8	O-ring 10x1.3		
9	Gasket 17x11x1.5		
12	Gasket 11.9x7x1.5		
No	Spare parts		
1	Compressed air valve	50137531	500157
3	Safety and pressure relief valve 3 bar (until 2021)	11617901-SB	710174
3	Safety and pressure relief valve 4 bar (from 2022)	11617902-SB	710181
4	Pump red 1.4104 PP NBR	11906301	710532
6	Sleeve, 6 pcs. per pack	11642701	040059
10	Hose 1.5 m, G1/2"-G1/2"	11478202	710327
11	Trigger Profi G1/2"	10495007	100807
	<i>Gasket set for trigger</i>	11664910	040851
12	Gasket 12.2x7x3; 12 pcs per pack	11642404	040042
13	Nipple G1/4", minimum order qty. 5 pcs	11341801	040790
14	Powder tube ø4 mm, brass, L = 25 cm	11422101	710334
15	Carrying belt	10453601	100739



XL 8 D



XL 8 D, telescopic lance 7 m (max. 6 bar) / working height 8 m (Dust version)		11935401	113791
Accessories (Pictures see page 80 ff)			
	Spray set	11938901	113869
	Blow-out valve	11937101	113845
Spare parts			
	7 m hose set	11936301	113821

For other accessories and spare parts see page 82