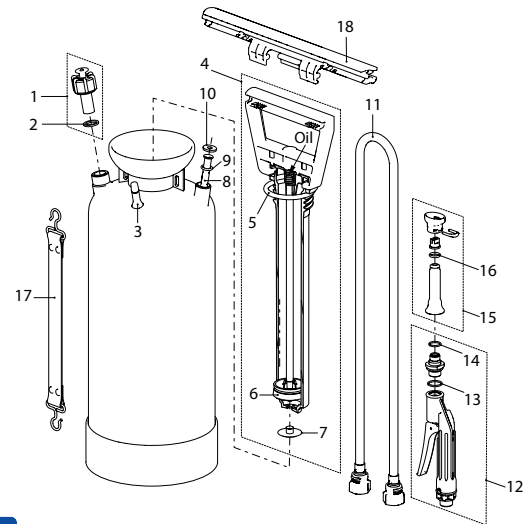




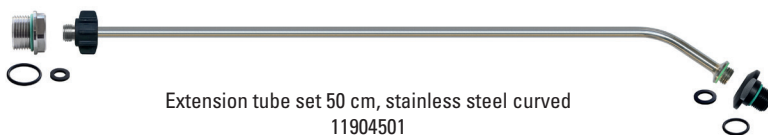
Foam-Matic 5 P



Foam-Matic 5 E

See also to foam unit **Foam-Matic 1.25 P/E, 75°** page 54

Foam-Matic 5 P, compression foamer (acids)		11900401	121338
Foam-Matic 5 E, compression foamer (alkalis)		11907601	121369
Accessories			
Extension tube set 50 cm, stainless steel curved		11904501	113142
Foam nozzle 45 cm bendable, fix		12060401	150444
No Gasket set Foam-Matic 5 P consisting of:			
No Gasket set Foam-Matic 5 E consisting of:			
No	For model		
2	Gasket 21x15.4x2	5P / 5E	
5	O-ring 50.16x5.34	5P / 5E	
6	Sleeve \varnothing 38.85 x 7.9 mm	5P / 5E	
7	Pump gasket \varnothing 24 mm	5P / 5E	
9	O-ring 7.66x1.78	5P	
9	O-ring 7.65x1.78	5E	
10	Gasket 15x5.5x2	5P / 5E	
13	Gasket 17.17x1.78	5P / 5E	
14	Gasket 14x1.78	5P / 5E	
16	O-ring 10.78x2.62	5P / 5E	
No Spare parts			
No	For model		
1	Safety and pressure relief valve 4 bar	5P	11617902-SB 710181
1	Safety and pressure relief valve 4 bar	5E	11669611 110592
3	Compressed air valve	5P / 5E	50137532 040653
4	Pump black 1.4301 PP Viton	5P	11625301-SB 710150
4	Pump black 1.4301 PP EPDM	5E	11906501 110448
6	Guide with sleeve; 6 pcs. per pack	5P / 5E	10853203 040066
6	Sleeve; 6 pcs per pack	5P / 5E	11642701 040059
11	Hose 1.5 m, G1/2"-G1/2", oil resistant	5P	10834210-SB 710402
11	Hose 1.5 m, G1/2"-G1/2"	5E	11908301 110486
12	Trigger Profi G1/2"	5P	11907101 040639
	<i>Gasket set for trigger</i>	5P	11664910 040851
12	Trigger Profi G1/2"	5E	11907102 040646
	<i>Gasket set for trigger</i>	5E	11973801 400853
15	Foam tube	5P	11927401 113746
15	Foam tube	5E	11928001 113753
17	Carrying belt	5P / 5E	10453601 100739
18	Two hand grip	5P / 5E	11887301 040578

Extension tube set 50 cm, stainless steel curved
11904501Foam nozzle 45 cm bendable, fix
12060401